

# EK3 / EK6 / EK9

EK3 / EK6 / EK9 is an integral electric boiler in Compact P2. You can connect a central heating system using water circulation and that way you can heat the dwelling using electricity. All the installations are gathered in one compact installation, and the big advantage of this option is therefore that you save space.

EK3 / EK6 / EK9 have other advantages too. In contrast to traditional heating solutions with heat pumps, you do not need to install geothermal tubes or an air source heat pump. Installation is therefore both easier and cheaper.

Electric heating is a good option if the dwelling is highly air-tight and requires limited energy for heating. This is the case, for instance, in Passive Houses and low energy houses. You can order the integral electric boiler with 3, 6 or 9 kW, depending on the heating requirements of the dwelling.

**Control system:** CTS602 with an integral HMI-panel in Compact P2 EK.



🇩🇰 MADE IN DENMARK

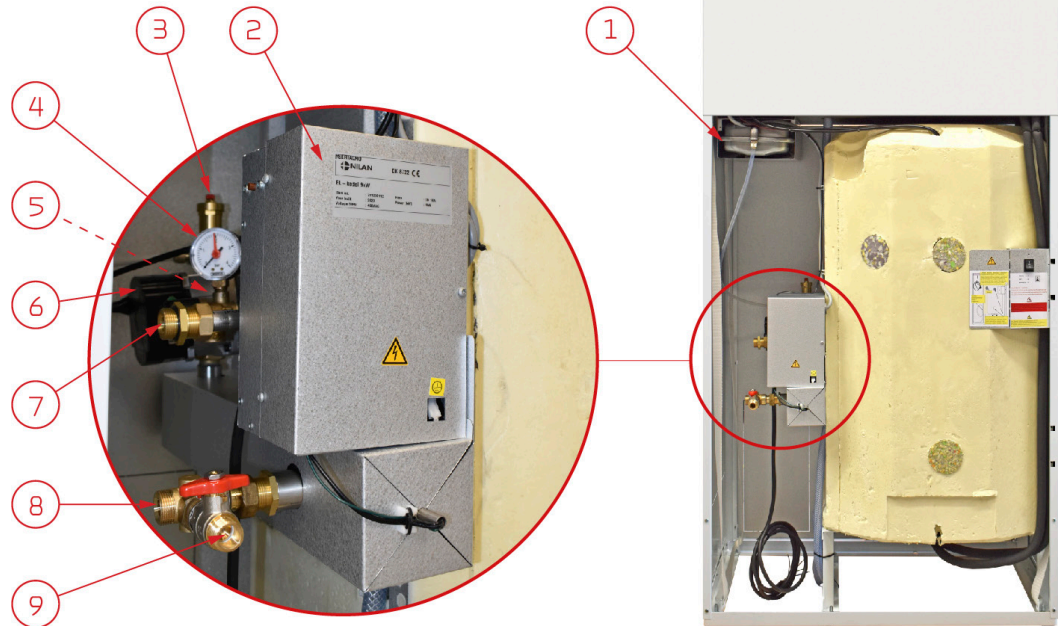
Heat output	3 kW
Supply voltage	230 V / 3x 230V / 3x 400V - N
Max. fuse size	25A / 16A / 16A
Weight	21 kg
Standby electricity consumption	2 W
Expansion vessel	10 l

Heat output	6 kW
Supply voltage	230 V / 3x 230V / 3x 400V - N
Max. fuse size	36A / 16A / 16A
Weight	21 kg
Standby electricity consumption	2 W
Expansion vessel	10 l

Heat output	9 kW
Supply voltage	3x 400V - N
Max. fuse size	20A
Weight	21 kg
Standby electricity consumption	2 W
Expansion vessel	10 l

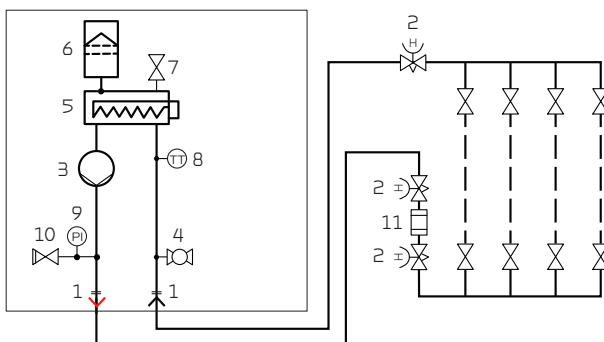
## Electric boiler

1. Expansion tank 8L
2. Electric boiler
3. Automatic air vent valve
4. Manometer
5. Safety valve 2.5 bar
6. Circulation pump
7. Return flow central heating
8. Supply flow central heating
9. Feed tap 1/2"



Nilan A/S assumes no responsibility for any errors or omissions in the printed information material or for less or damage that may follow from the use of such published materials - whether such loss of damage is caused by errors or inexperience in the material or otherwise. Nilan A/S reserves the right without prior notice to change products and information material. All trademarks are the property of Nilan A/S. All rights reserved.

EK



## Functional diagram

1. Internal thread 3/4"
2. Shut-off valve
3. Circulation pump
4. Feed tap 1/2"
5. Electric boiler with electric heating element (3/6/9 kW)
6. Expansion tank 8L
7. Automatic air vent valve
8. Temperature sensor
9. Manometer
10. Safety valve 2.5 bar
11. Particle filter (not supplied by Nilan)

## Accessories

At [www.en.nilan.dk](http://www.en.nilan.dk) you can find more information e.g. design data, dimensional drawings, installation instructions and ecodeign data.

2022.05